

# Parts Catalogue

for model  
**EL 380 Li 48V**

- Use GLOBAL GARDEN PRODUCT Genuine Spare Parts specified in the parts list for repair and/or replacement.
- The contents described in the parts list may change due to improvement.
- The drawings of the spare parts are only indicative and might not represent the part in question exactly.
- The indications "right" - "left" - "front" - "rear" refer to the position of the operator when using the machine.
- When placing orders of parts for repair and/or replacement, make sure that the illustrated parts list is the one applying to the machine's year of manufacture, as shown on the identification plate attached to the machine.

© Copyright 2015 Global Garden Products

All content is subject to copyright by Global Garden Products and may not be reproduced in whole or in part by any means, electronic or otherwise, without prior written approval.

THIS INFORMATION IS NOT INTENDED FOR SALE OR RESALE, AND THIS NOTICE MUST REMAIN ON ALL COPIES.



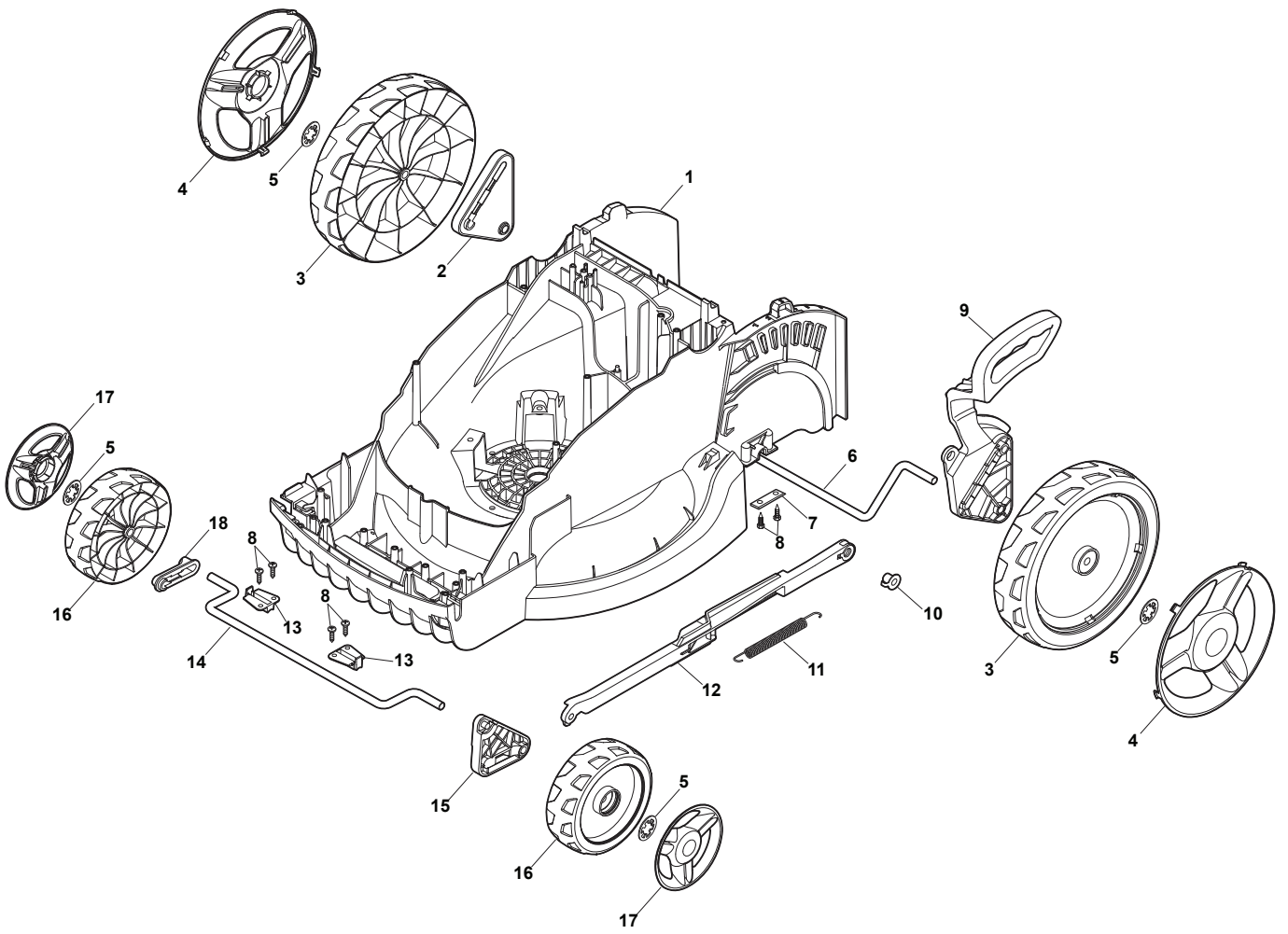


Fig.	Q.ty	Part No	Description	Notes
1	1	322066783/0	Deck STIGA Grey	
2	1	322785450/0	Support, Wheel	
3	2	322686105/0	Wheel	
4	2	322110684/0	Hub Cap Grey	
4	2	322110691/0	Hub Cap White	
4	2	322110700/0	Hub Cap Yellow	
5	4	112604903/0	Washer	
6	1	122033425/0	Rear Wheel Axle	
7	2	322545142/0	Plate	
8	8	112728714/0	Screw	
9	1	322785443/0	Lever, Height Adjustment	Grey
9	1	322785414/1	Lever, Height Adjustment	Yellow
10	1	322524354/0	Pin	
11	1	122446195/0	Spring	
12	1	322869690/0	Rod, Height Adjustment	Grey
12	1	322869685/0	Rod, Height Adjustment	Black
13	2	322785415/0	Plate	
14	1	122033424/0	Rear Wheel Axle	
15	1	322785438/0	Support, Wheel	Grey
15	1	322785422/0	Support, Wheel	Black
16	2	322686104/0	Wheel	
17	2	322110683/0	Hub Cap Grey	
17	2	322110690/0	Hub Cap White	
17	2	322110699/0	Hub Cap Yellow	
18	1	322785449/0	Support, Wheel	

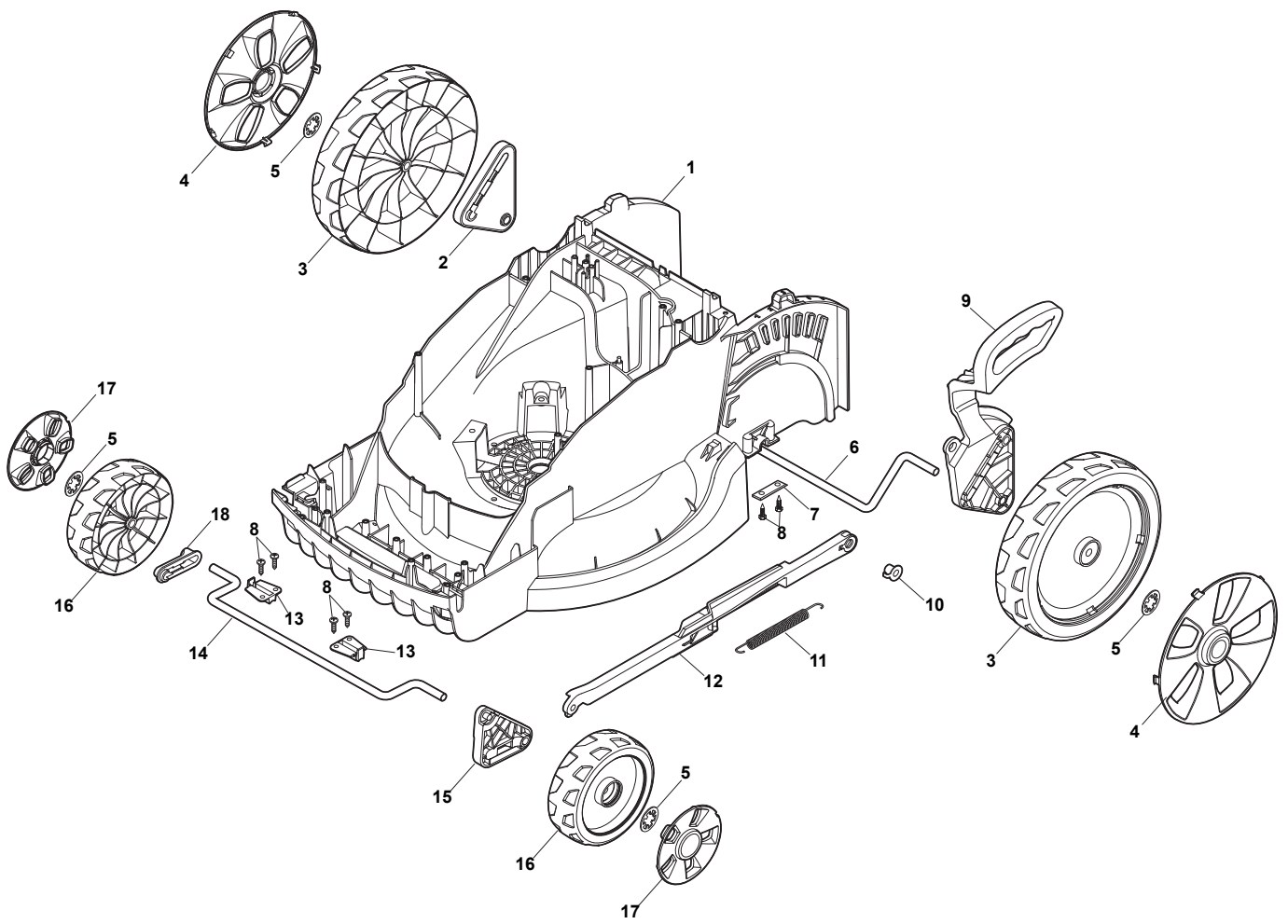


Fig.	Q.ty	Part No	Description	Notes
1	1	322066783/0	Deck STIGA Grey	
2	1	322785450/0	Support, Wheel	
3	2	322686105/0	Wheel	
4	2	322110637/0	Hub Cap Grey	
5	4	112604903/0	Washer	
6	1	122033425/0	Rear Wheel Axle	
7	2	322545142/0	Plate	
8	8	112728714/0	Screw	
9	1	322785443/0	Lever, Height Adjustment	Grey
9	1	322785414/1	Lever, Height Adjustment	Yellow
10	1	322524354/0	Pin	
11	1	122446195/0	Spring	
12	1	322869690/0	Rod, Height Adjustment	Grey
12	1	322869685/0	Rod, Height Adjustment	Black
13	2	322785415/0	Plate	
14	1	122033424/0	Rear Wheel Axle	
15	1	322785438/0	Support, Wheel	Grey
15	1	322785422/0	Support, Wheel	Black
16	2	322686104/0	Wheel	
17	2	322110685/0	Hub Cap Grey	
18	1	322785449/0	Support, Wheel	

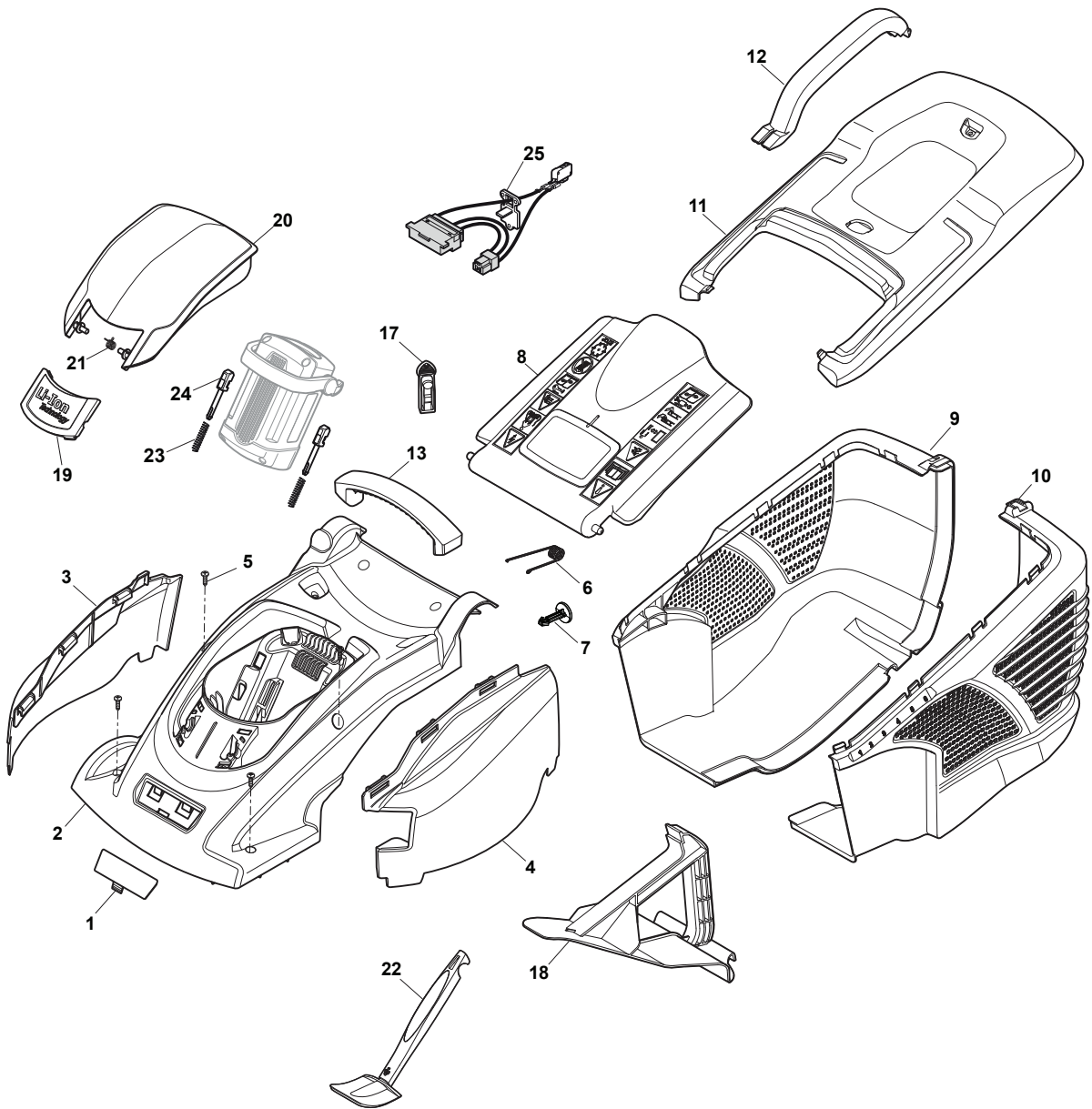


Fig.	Q.ty	Part No	Description	Notes
1	1	322055168/0	Front Plate	Grey
1	1	322055178/0A	Front Plate	Black
2	1	322055527/0	White Cover	
2	1	322055528/0	Yellow Cover	
2	1	322055535/0	Red Cover	
3	1	322109565/0	Left Side Cover	Grey NCS 8000N
3	1	322109947/0	Left Side Cover	Red - Mountfield
4	1	322109899/0	Right Side Cover	Grey NCS 8000N
4	1	322109946/0	Right Side Cover	Red - Mountfield
5	10	112728714/0	Screw	
6	1	122450470/0	Spring	
7	1	322524356/0	Pin	
8	1	322600288/0	Stone Guard, Grey	
9	1	322486393/0	Grass-Box, Right Lower Part	
10	1	322486394/0	Grass-Box, Left Lower Part	
11	1	322486308/0	Grass-Box, Upper Part	White
11	1	322486309/0	Grass-Box, Upper Part	Red
11	1	322486323/0	Grass-Box, Upper Part	Yellow
11	1	322486329/0	Grass-Box, Upper Part	Grey
12	1	322393656/0	Handle	Grey
12	1	322393718/0	Handle	Grey NCS 8000N
13	1	322393719/0	Handle	
17	1	322076570/1	Battery Safety Key	
18	1	322140242/0	Mulching Plug	
19	1	322545222/0	Plate	
20	1	322055165/0	Cover	
21	1	122450473/0	Spring	
22	1	113300215/0	Scraper	
23	1	122450472/0	Spring	
24	1	322524355/0	Pin	
25	1	118210028/0	Safety Key Set	48V

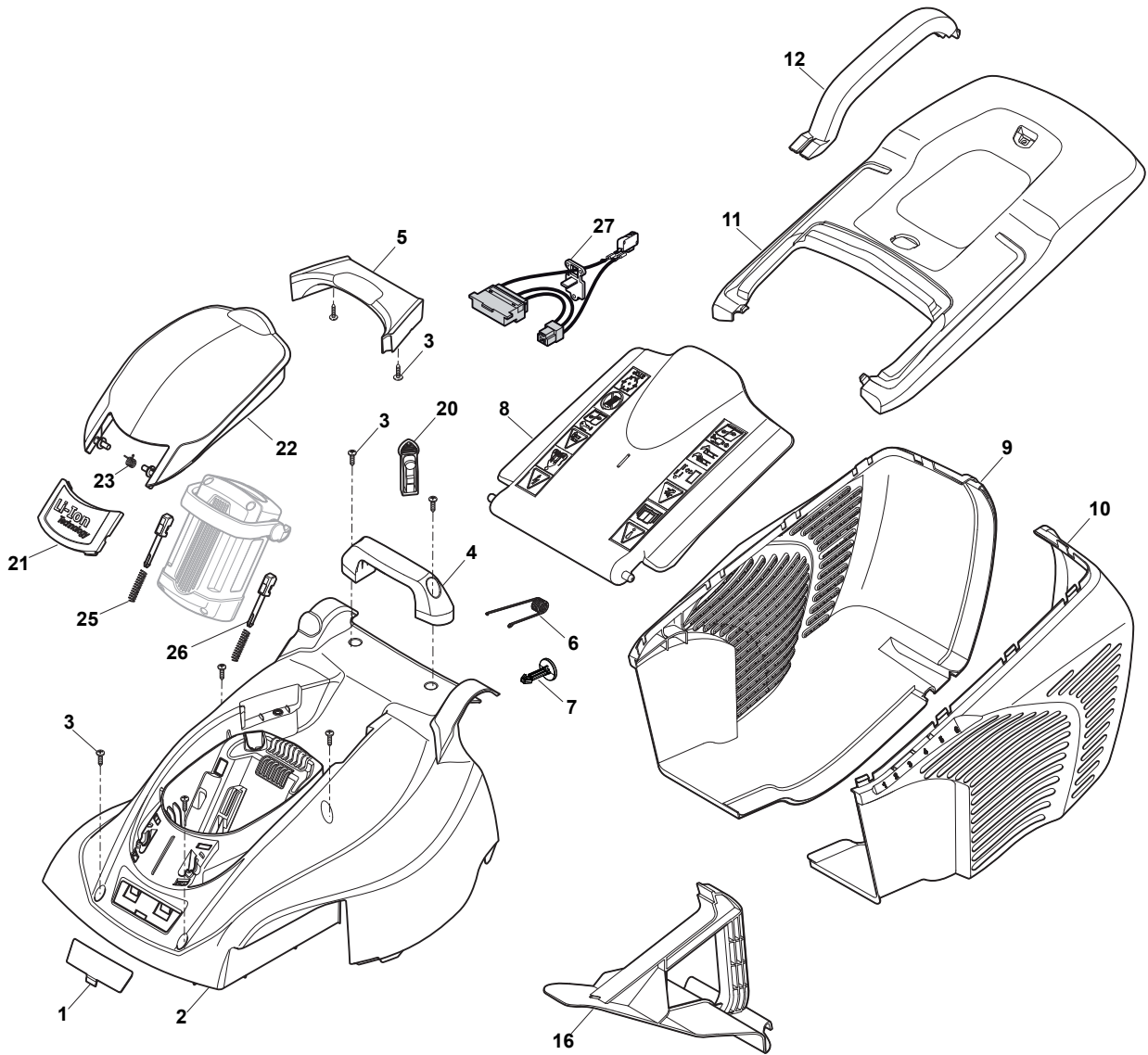




Fig.	Q.ty	Part No	Description	Notes
1	1	322055168/0	Front Plate	
2	1	322055166/0	Red Cover	
3	12	112728714/0	Screw	
4	1	322393725/0	Handle	
5	1	322393724/0	Handle	
6	1	122450470/0	Spring	
7	1	322524356/0	Pin	
8	1	322600235/0	Stone-Guard	
9	1	322486299/0	Grass-Box, Right Lower Part	
10	1	322486300/0	Grass-Box, Left Lower Part	
11	1	322486308/0	Grass-Box, Upper Part	White
11	1	322486309/0	Grass-Box, Upper Part	Red
11	1	322486323/0	Grass-Box, Upper Part	Yellow
11	1	322486329/0	Grass-Box, Upper Part	Grey
11	1	322486330/0	Grass-Box, Upper Part Black	Black
12	1	322393656/0	Handle	
16	1	322140242/0	Mulching Plug	
20	1	322076570/1	Battery Safety Key	
21	1	322545222/0	Plate	
22	1	322055167/0	Cover	
23	1	122450473/0	Spring	
24	1	113300215/0	Scraper	
25	1	122450472/0	Spring	
26	1	322524355/0	Pin	
27	1	118210028/0	Safety Key Set	48V

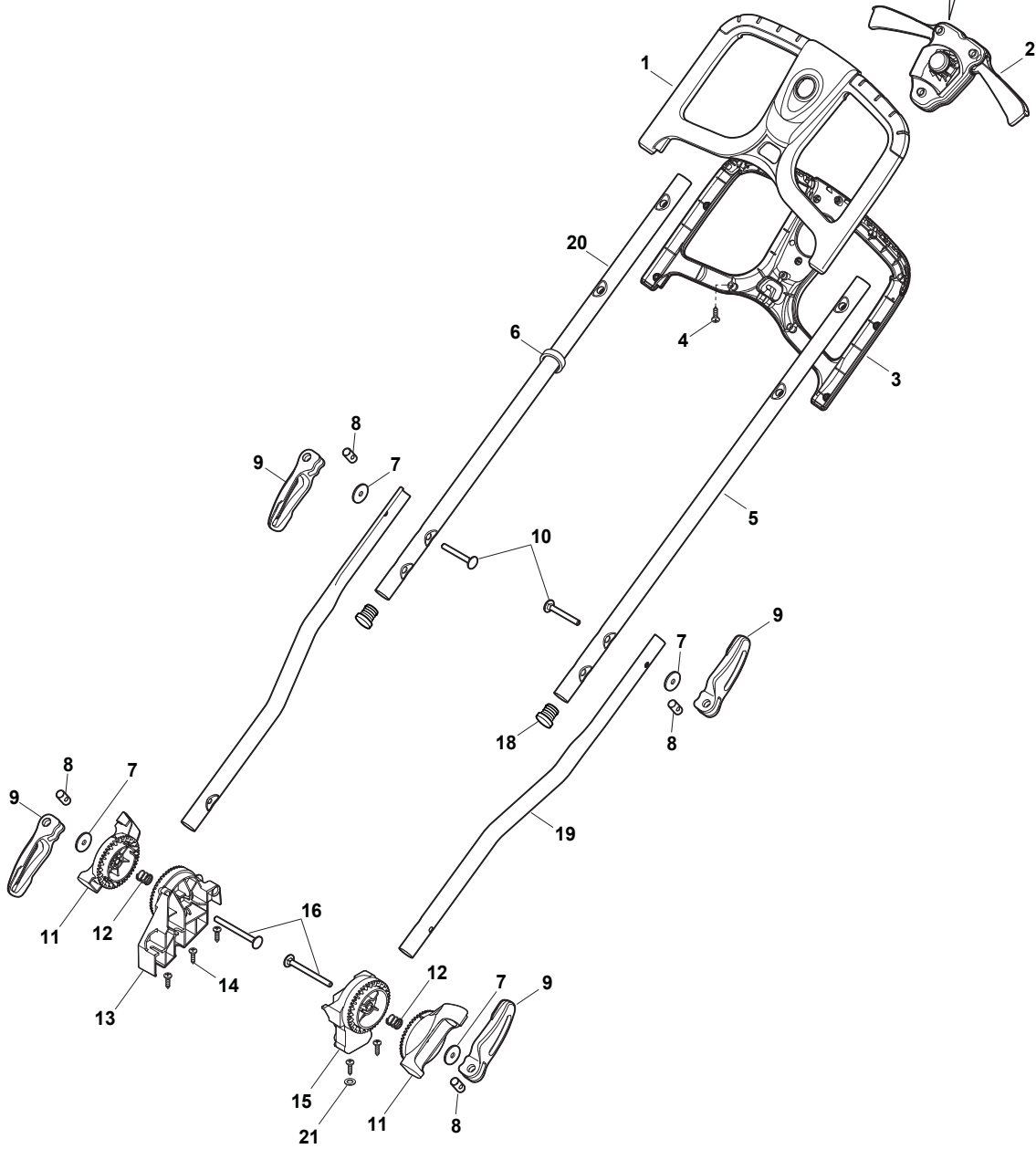
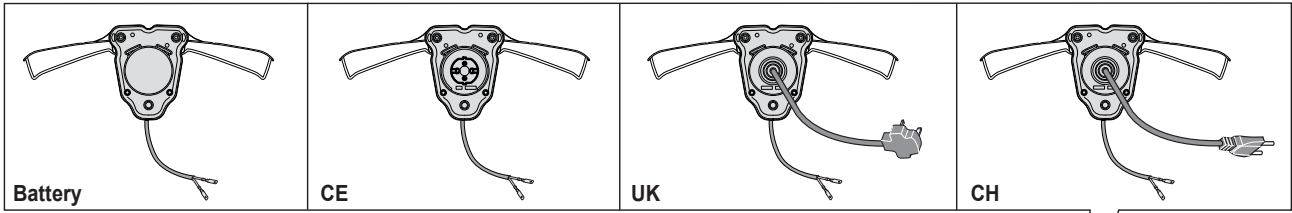
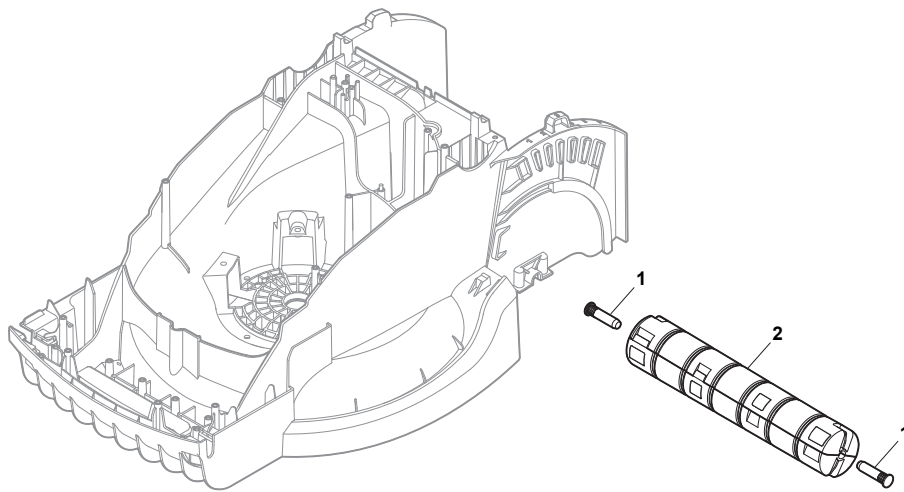


Fig.	Q.ty	Part No	Description	Notes
1	1	322291070/0	Upper Half Handgrip Switch	From 01-January-2014
2	1	381600528/1	Dead Hand Switch	Battery -Red Button
2	1	381600524/1	Dead Hand Switch	Battery -Yellow Button
3	1	322291071/0	Lower Half Handgrip Switch	
4	11	112728713/0	Screw	
5	1	381007515/0	Handle Lower Part	
6	1	122192000/1	Clamp	
7	4	112523050/0	Washer	
8	4	122524352/0	Pin	
9	4	322319526/0	Fixing Lever Handle	Grey NCS
9	4	322319519/0	Fixing Lever Handle	Yellow
10	2	122943016/0	Screw	
11	2	322246102/0	Handle Joint	
12	2	122430210/0	Bearing	
13	2	322745055/0	Right Joint	
14	5	112728714/0	Screw	
15	1	322745056/0	Left Joint	
16	2	122943017/0	Screw	
18	2	118566112/0	Polyethylene Push Road Ivars D=20inch	
19	2	381007513/0	Handle Lower Part	
20	1	381007514/0	Right Handle, Lower Part	
21	1	112521320/0	Washer	

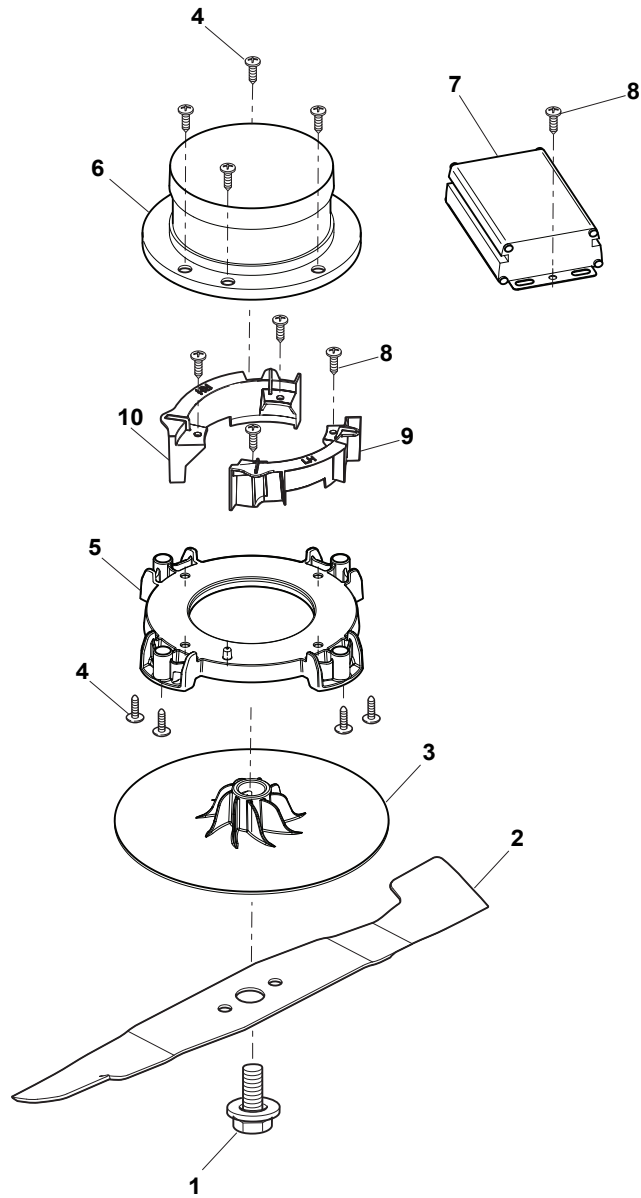


# EL 380 LI 48V

WBH Battery plastic Roller

Issue 18 - 2015

Fig.	Q.ty	Part No	Description	Notes
2	2	322670019/0	Roller	
1	2	122519824/0	Pin	



WBH Battery plastic Blade

Issue 18 - 2015

Fig.	Q.ty	Part No	Description	Notes
1	1	381004352/1	Screw	
2	1	181004156/0	Blade	
3	1	322465644/1	Hub	
4	8	112728699/0	Screw	
5	1	322207227/0	Fairlead	
8	1	112728714/0	Screw	
9	1	322393686/0	Left Battery Flange Wall	
10	1	322393685/0	Right Battery Flange Wall	

code	pos.	q.ty	page									
112521320/0	21	1	p. 11	322246102/0	11	2	p. 11	381007514/0	20	1	p. 11	
112523050/0	7	4	p. 11	322291070/0	1	1	p. 11	381007515/0	5	1	p. 11	
112604903/0	5	4	p. 3	322291071/0	3	1	p. 11	381600524/1	2	1	p. 11	
112604903/0	5	4	p. 5	322319519/0	9	4	p. 11	381600528/1	2	1	p. 11	
112728699/0	4	8	p. 15	322319526/0	9	4	p. 11					
112728713/0	4	11	p. 11	322393656/0	12	1	p. 7					
112728714/0	3	12	p. 9	322393656/0	12	1	p. 9					
112728714/0	5	10	p. 7	322393685/0	10	1	p. 15					
112728714/0	8	1	p. 15	322393686/0	9	1	p. 15					
112728714/0	8	8	p. 3	322393718/0	12	1	p. 7					
112728714/0	8	8	p. 5	322393719/0	13	1	p. 7					
112728714/0	14	5	p. 11	322393724/0	5	1	p. 9					
113300215/0	22	1	p. 7	322393725/0	4	1	p. 9					
113300215/0	24	1	p. 9	322465644/1	3	1	p. 15					
118210028/0	25	1	p. 7	322486299/0	9	1	p. 9					
118210028/0	27	1	p. 9	322486300/0	10	1	p. 9					
118566112/0	18	2	p. 11	322486308/0	11	1	p. 7					
122033424/0	14	1	p. 3	322486308/0	11	1	p. 9					
122033424/0	14	1	p. 5	322486309/0	11	1	p. 7					
122033425/0	6	1	p. 3	322486309/0	11	1	p. 9					
122033425/0	6	1	p. 5	322486323/0	11	1	p. 7					
122192000/1	6	1	p. 11	322486323/0	11	1	p. 9					
122430210/0	12	2	p. 11	322486329/0	11	1	p. 7					
122446195/0	11	1	p. 3	322486329/0	11	1	p. 9					
122446195/0	11	1	p. 5	322486330/0	11	1	p. 9					
122450470/0	6	1	p. 7	322486393/0	9	1	p. 7					
122450470/0	6	1	p. 9	322486394/0	10	1	p. 7					
122450472/0	23	1	p. 7	322524354/0	10	1	p. 3					
122450472/0	25	1	p. 9	322524354/0	10	1	p. 5					
122450473/0	21	1	p. 7	322524355/0	24	1	p. 7					
122450473/0	23	1	p. 9	322524355/0	26	1	p. 9					
122519824/0	1	2	p. 13	322524356/0	7	1	p. 7					
122524352/0	8	4	p. 11	322524356/0	7	1	p. 9					
122943016/0	10	2	p. 11	322545142/0	7	2	p. 3					
122943017/0	16	2	p. 11	322545142/0	7	2	p. 5					
181004156/0	2	1	p. 15	322545222/0	19	1	p. 7					
322055165/0	20	1	p. 7	322545222/0	21	1	p. 9					
322055166/0	2	1	p. 9	322600235/0	8	1	p. 9					
322055167/0	22	1	p. 9	322600288/0	8	1	p. 7					
322055168/0	1	1	p. 7	322670019/0	2	2	p. 13					
322055168/0	1	1	p. 9	322686104/0	16	2	p. 3					
322055178/0A	1	1	p. 7	322686104/0	16	2	p. 5					
322055527/0	2	1	p. 7	322686105/0	3	2	p. 3					
322055528/0	2	1	p. 7	322686105/0	3	2	p. 5					
322055535/0	2	1	p. 7	322745055/0	13	2	p. 11					
322066783/0	1	1	p. 3	322745056/0	15	1	p. 11					
322066783/0	1	1	p. 5	322785414/1	9	1	p. 3					
322076570/1	17	1	p. 7	322785414/1	9	1	p. 5					
322076570/1	20	1	p. 9	322785415/0	13	2	p. 3					
322109565/0	3	1	p. 7	322785415/0	13	2	p. 5					
322109899/0	4	1	p. 7	322785422/0	15	1	p. 3					
322109946/0	4	1	p. 7	322785422/0	15	1	p. 5					
322109947/0	3	1	p. 7	322785438/0	15	1	p. 3					
322110637/0	4	2	p. 5	322785438/0	15	1	p. 5					
322110683/0	17	2	p. 3	322785443/0	9	1	p. 3					
322110684/0	4	2	p. 3	322785443/0	9	1	p. 5					
322110685/0	17	2	p. 5	322785449/0	18	1	p. 3					
322110690/0	17	2	p. 3	322785449/0	18	1	p. 5					
322110691/0	4	2	p. 3	322785450/0	2	1	p. 3					
322110699/0	17	2	p. 3	322785450/0	2	1	p. 5					
322110700/0	4	2	p. 3	322869685/0	12	1	p. 3					
322140242/0	16	1	p. 9	322869685/0	12	1	p. 5					
322140242/0	18	1	p. 7	322869690/0	12	1	p. 3					
322207227/0	5	1	p. 15	322869690/0	12	1	p. 5					
				322869690/0	12	1	p. 3					
				322869690/0	12	1	p. 5					
				381004352/1	1	1	p. 15					
				381007513/0	19	2	p. 11					